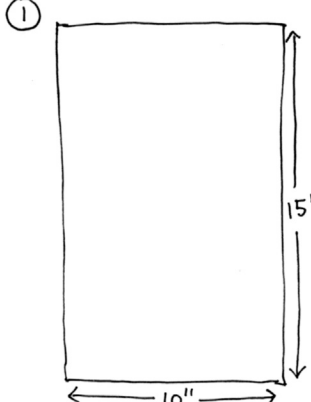
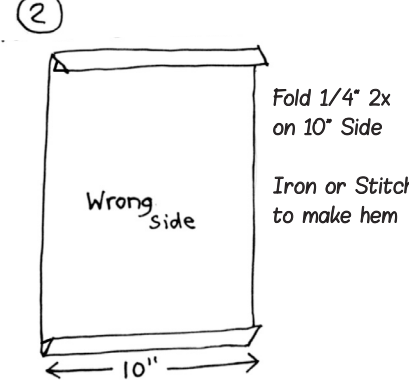
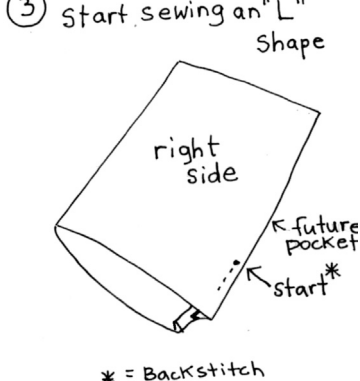


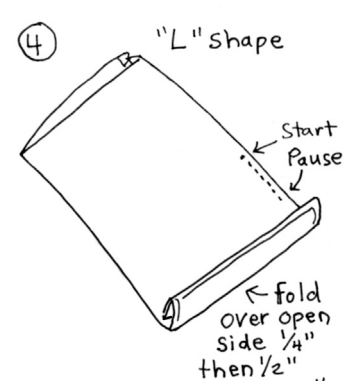
FLAT MASK WITH FILTER POCKET, REPLACEABLE WIRE, & TIES

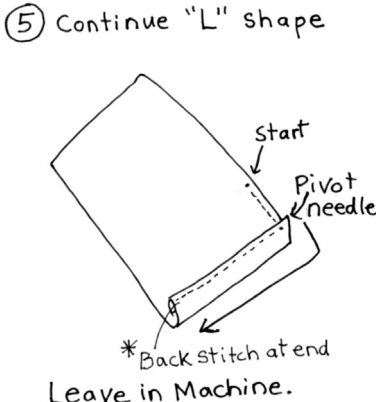
BY CIRCLE CREATIVE COLLECTIVE. DRAWINGS BY LORA SHELLEY.

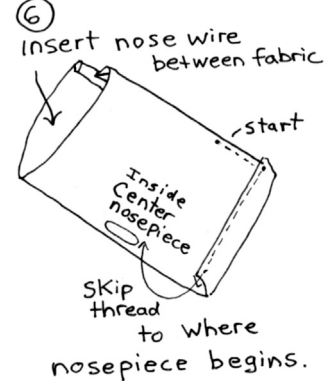
- 

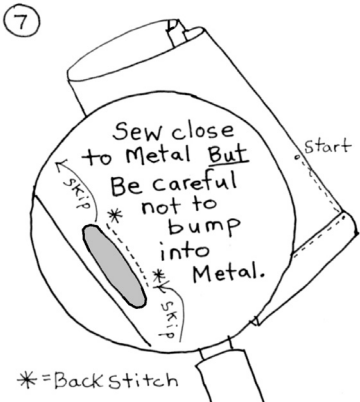
① 15"
10"
- 

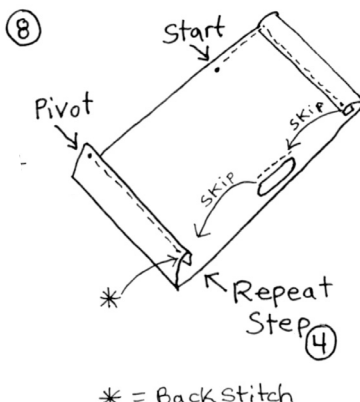
② Wrong side
10"
Fold 1/4" 2x on 10" Side
Iron or Stitch to make hem
- 

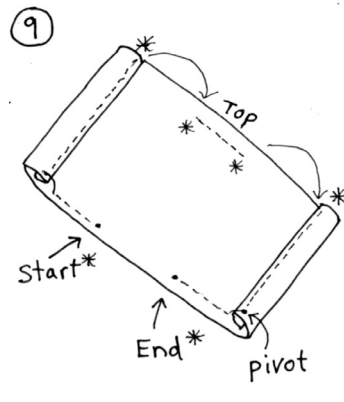
③ Start sewing an "L" shape
right side
future pocket
start*
* = Backstitch
- 


④ "L" shape
Start Pause
fold over open side 1/4" then 1/2"
This makes "pocket" for elastic or ties
- 

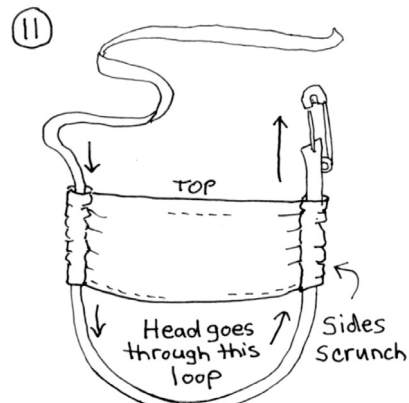
⑤ Continue "L" shape
Start
Pivot needle
* Backstitch at end
Leave in Machine.
- 

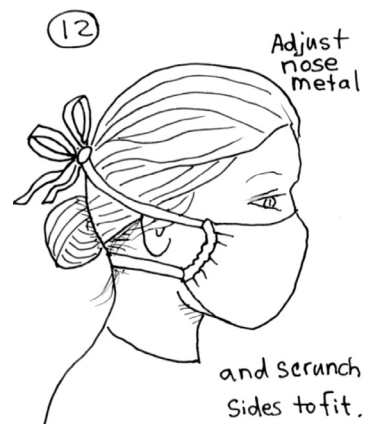
⑥ Insert nose wire between fabric
Start
Inside Center nosepiece
Skip thread to where nosepiece begins.
- 

⑦ Sew close to Metal But Be careful not to bump into Metal.
Start
* = Backstitch
- 

⑧ Start
Pivot
Skip
Repeat Step ④
* = Backstitch
- 

⑨ Top
Start*
End*
pivot
- 

⑩ Insert 30" elastic or Jersey Starting at TOP
nose piece inside
TOP
(filter pocket)
using a large needle or safety pin
- 

⑪ TOP
Head goes through this loop
Sides scrunch
- 

⑫ Adjust nose metal
and scrunch Sides to fit.

This pattern goes along with THIS VIDEO we made: <https://youtu.be/ZEd4VR5j2nc>
Or search on YouTube: "Complete fabric face mask with nose piece, elastic and pocket fits perfectly and takes 5 minutes!"